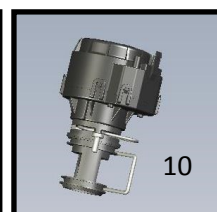


Ref	Part Code	Description
1	H10001SP	HIU Controller Unit
2	H10002SP	Controller PCB power supply board without Green cable connection plugs
3	H10003SP	Controller PCB low voltage board + Cover
4	H10004SP	23 plate DHW Zilmet Plate Heat Exchanger
5	H10005SP	33 plate DHW Zilmet Plate Heat Exchanger
6	H10006SP	18 Plate HEATING Zilmet Plate Heat Exchanger
7	H10007SP	PICV Actuator
8	H10008SP	PICV Valve
9	H10009SP	HEATING Zilmet expansion vessel
10	H10010SP	DIVERTER ACTUATOR
11	H10011SP	NTC DHW TEMPERATURE SENSOR (not shown)
12	H10012SP	PT1000 temperature sensor (CH flow and CH return)
13	H10013SP	Pump Head – Wilo Yonos Para 7.0 RKA
14	H10014SP	Complete Pump Block with Wilo Yonos Para 7.0 RKA Pump
15	H10015SP	Honeywell Flow Sensor
16	H10016SP	Pressure switch
17	H10017SP	Inta HIU High Temperature TMV
18	H10018SP	HIU Automatic Air Vent
19	H10019SP	GASKET SEALS for Plate Heat Exchanger (4)
20	H10020SP	Fixing Bolts for 18 Plate Heat Exchanger (4)
21	H10021SP	Fixing Bolts for 23 Plate Heat Exchanger (4)
22	H10022SP	Fixing Bolts for 33 Plate Heat Exchanger (4)
23	H10023SP	SET OF 2—Plate Heat Exchanger securing bars
24	H10024SP	Rbm 3 Bar clip seal Safety Valve
27	H10027SP	DN20 Pipe gaskets (Set of 10)
28	H10028SP	Fuse (pack of 5)



H10013SP



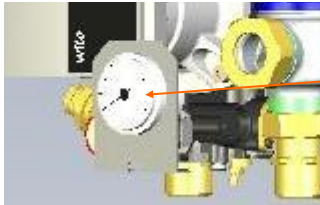
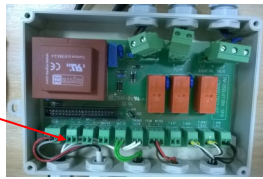
H10017SP



H10007SP



Ref 25
All low voltage connections

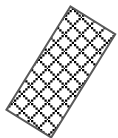
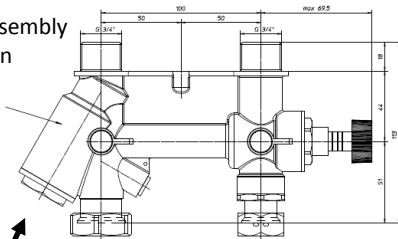


Ref 37
Pressure Gauge
& Retaining Clip

Ref 45
Clip for retaining the Diverter Actuator

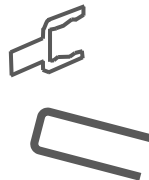


Ref 39 - Brass Block Assembly
for Primary Connection

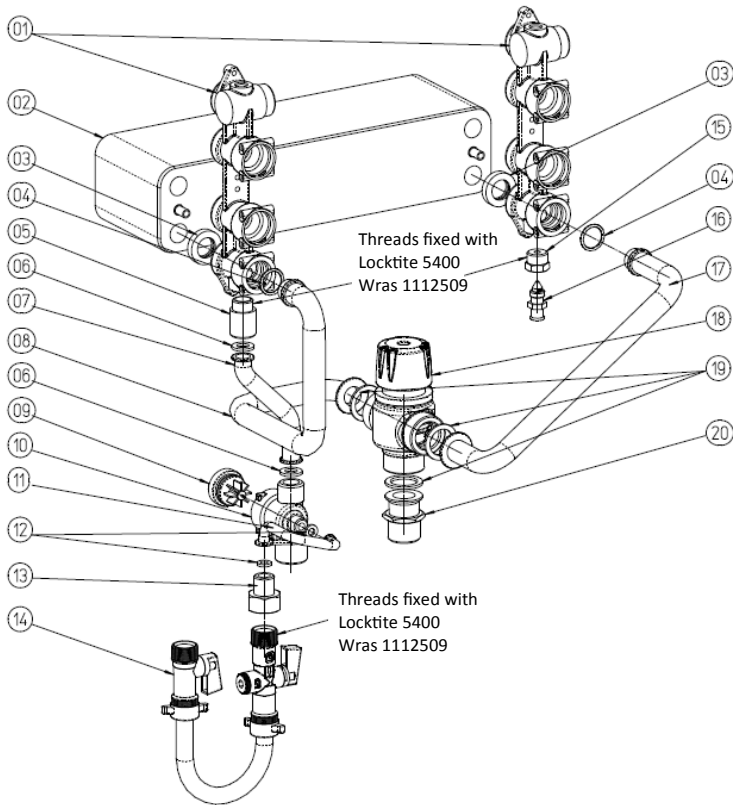


Ref 40 -
Replacement Strainer Mesh
As fitted in the Primary Block H10039SP

Ref 43
Hydro block clips

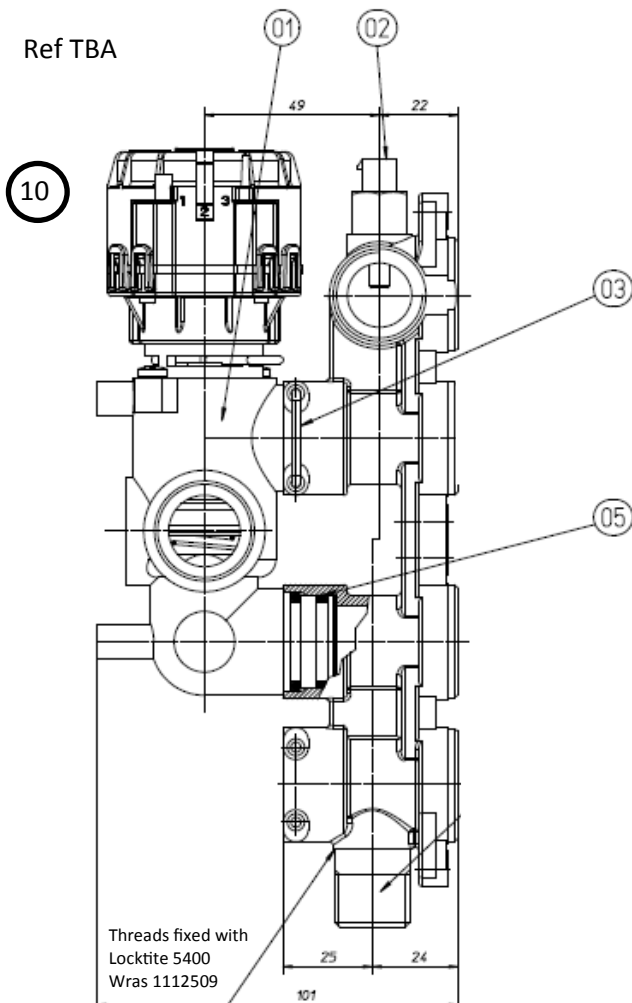


Ref	Part Code	Description
25	H10025SP	RS Pro 3.5mm Pitch Right Angle PCB Terminal Block Plug PCB Mount 2 way
29	H10029SP	DN20 Pipe o-ring (Set of 10) 21.89x2.62 spare
	H10032SP	Front casing with insulation Hiper HIU (not pictured) Steel Casing—White
	H10034SP	Wilo Pump with Block and AAVfor HIPER HIU
	H10035SP	Clip for securing the Safety Valve
	H10036SP	Pump Line Clip for HIU
	H10037SP	Pressure Gauge & Retaining Clip
	H10038SP	Controller PCB Power supply Board C/W back of controller Case and complete with all green cable connection plugs
39	H10039SP	Brass Block Assembly Primary Connection and Strainer
40	H10040SP	Replacement Strainer Mesh
41	H10041SP	Cold water inlet filter
43	H10043SP	Set of Hydroblock Clips
44	H10044SP	Terminal Block 5 Way c/w Fuse Holder
45	H10045SP	Clip for retaining the Diverter Actuator
46	H10046SP	Power lead with plug for Diverter Actuator
	POA	COMPLETE Brass Diverter Block assembly with Diverter Actuator Page 3



20	Fitting 1"	1
19	Gasket 30x22x2	3
18	Mix DHW T061003C-RB	1
17	Pipe MIX hot	1
16	Drain	1
15	Drain adaptor	1
14	1/2" Filling loop end caps FLEC2046050	1
13	Fitting for filling loop	1
12	Gasket 8x4x2	2
11	Filling pipe	1
10	Flowmeter body	1
09	Flowmeter cartridge honeywell	1
08	Pipe MIX cold	1
07	Pipe EF	1
06	Gasket 18x10x2	2
05	Fitting EF	1
04	OR ø 17.86x2.62	2
03	Gasket	2
02	Plate heat exchanger Zilmet 17B315--35	1
01	Manifold	2

Ref TBA



Breakdown of COMPLETE Brass Diverter Block assembly with Diverter Actuator, available only as pre-assembled

01	Brass Diverter Block	
02	H10012SP (PT1000 sensor)	
03	Steel Clip 22mm	
05	O Ring 21.89 x 2.62	
10	H10010SP Diverter Actuator DIVERter ACTUATOR	



H10003SP Controller PCB low voltage board + Cover
(pictures show back and front view)

Ref 16, Part Code H10016SP, Pressure Switch.

Ref 11, Part Code H10011SP,
NTC DHW Temperature Sensor



H10036 SP Pump Line Clip



H10001SP Controller with
sensor leads



H10046SP Diverter actua-
tor power lead & plug



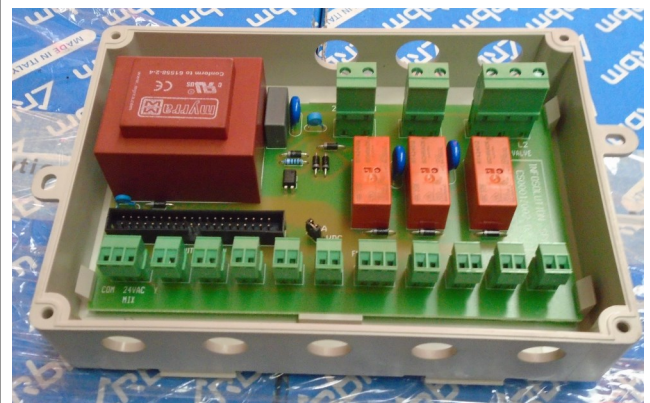


H10013SP
Pump Head - Wilo Yonon Para7.0 RKC

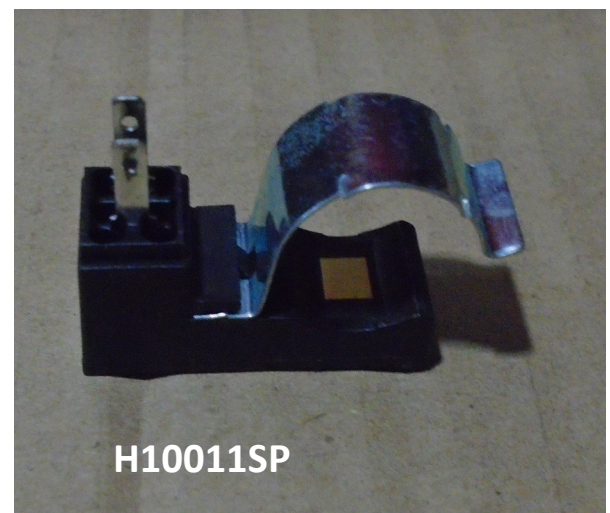
H10034 Wilo Pump with
Block and AAV



H10035SP clip for securing
the safety valve



H10038SP Controller PCB(H10003SP)Power supply
Board C/W back of controller Case and GREEN cable
connection plugs



H10011SP