



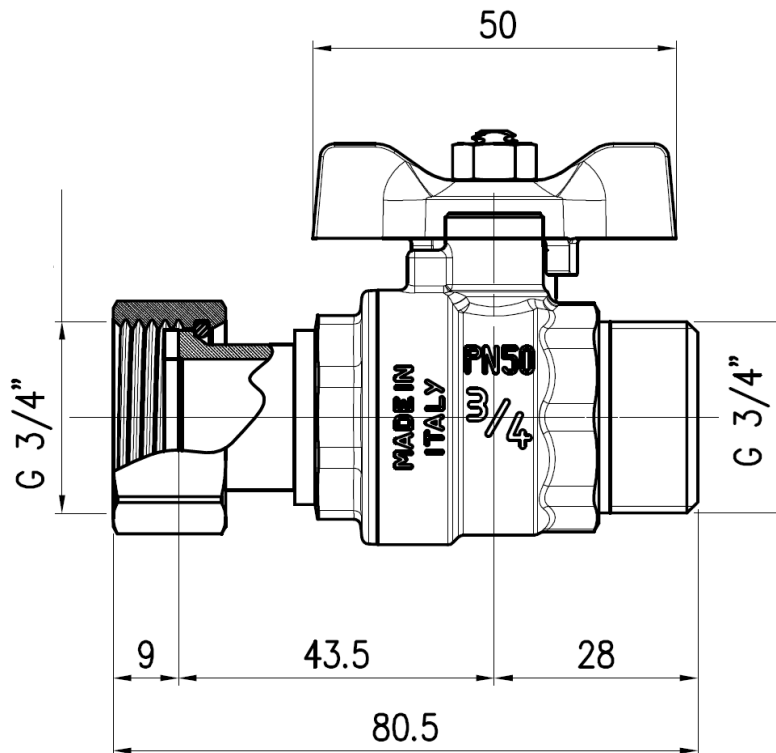
**Isolation Valve Kit HIAC03BVPACK**

**Contents**

- 2 x Blue handle ball valves
- 2 x Red handle ball valves
- 4 x DN20 sealing gaskets

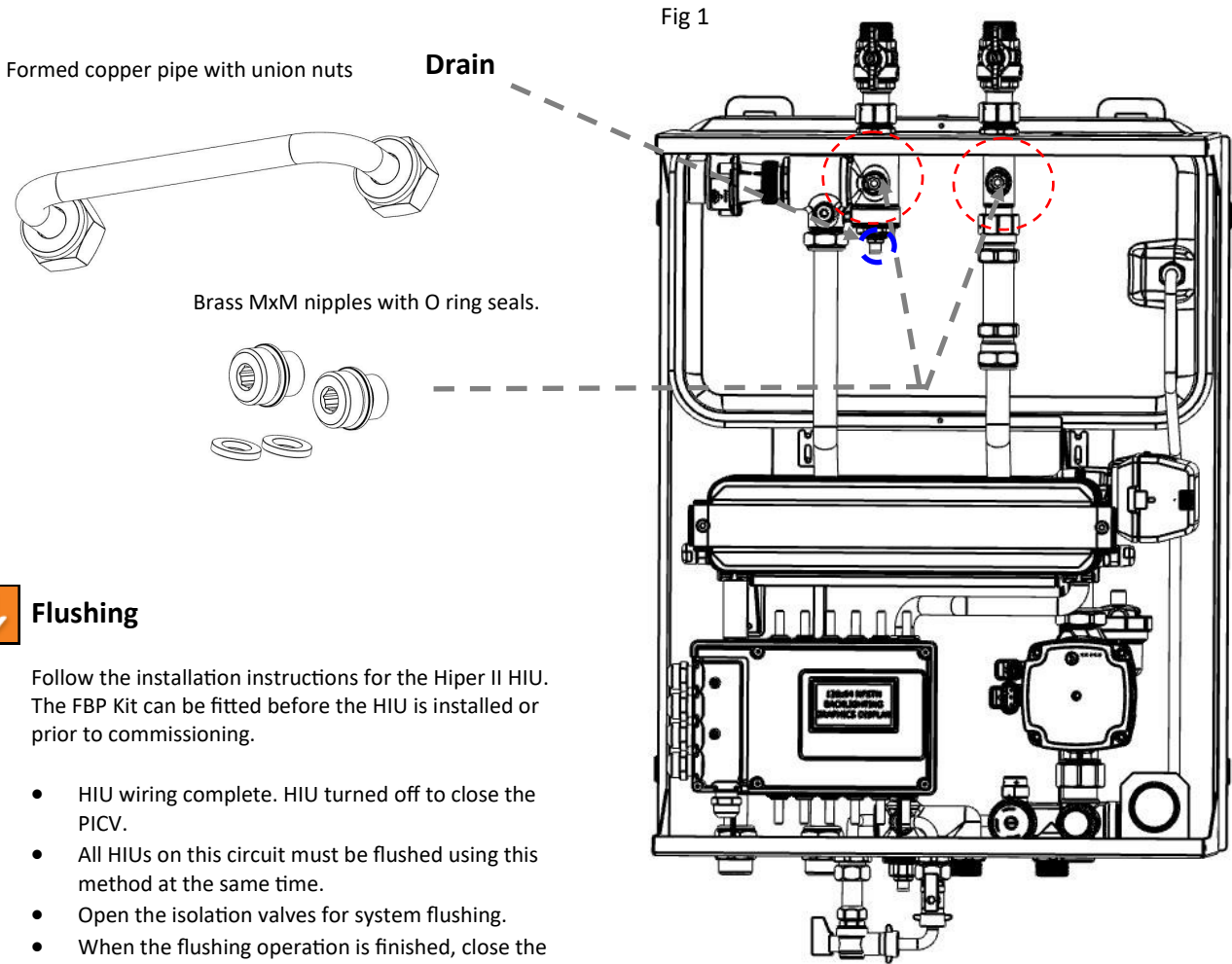
**Description**

For flat face sealing by gasket, connection to the HIU is by 3/4" female loose nut union, and connection for pipes is 3/4" male with a flat face connection.



Certificate No.

**2011345**



## Flushing

Follow the installation instructions for the Hiper II HIU. The FBP Kit can be fitted before the HIU is installed or prior to commissioning.

- HIU wiring complete. HIU turned off to close the PICV.
- All HIUs on this circuit must be flushed using this method at the same time.
- Open the isolation valves for system flushing.
- When the flushing operation is finished, close the isolation valves as shown below, and empty water through the drain valve again.
- Now remove and clean the filter mesh by undoing and removing the filter cap.
- Replace the now clean filter mesh, replace the filter cap. This is part of commissioning section 8, part 4. Sign complete.
- Remove and store the flushing pipe, replace the test plugs and make water tight. Do not over tighten on the O rings..
- Open the isolation valves, fill. The HIU is back in operation.



Best practice  
Refer to ICOM  
<http://icom.org.uk/factsheets/>

Water Treatment and Conditioning of  
Commercial Heating Systems Guide



Heating Secondary side please note.  
BS 7593 : 2019 for domestic heating systems

- fitting of a permanent in-line filter is required in addition to a chemical clean and fresh water flush before inhibitor is added
- An in-line filter should be fitted to ALL systems
- All recommended cleaning methodologies can be improved with external magnetite capture equipment and mechanical vibration of radiators – IntaKlean Compact\*
- A water test is required to test the level of inhibitor and cleanliness of the system every year
- Inhibitor should be re-dosed every five years or a full system water test undertaken.



\*IntaKlean Compact  
Part code IKCMF34

## Intatec Ltd

Airfield Industrial Estate  
Hixon  
Staffordshire  
ST18 0PF

Tel: **01889 272 180**

Fax: **01889 272 181**

email: [sales@intatec.co.uk](mailto:sales@intatec.co.uk)

web: [www.intatec.co.uk](http://www.intatec.co.uk)